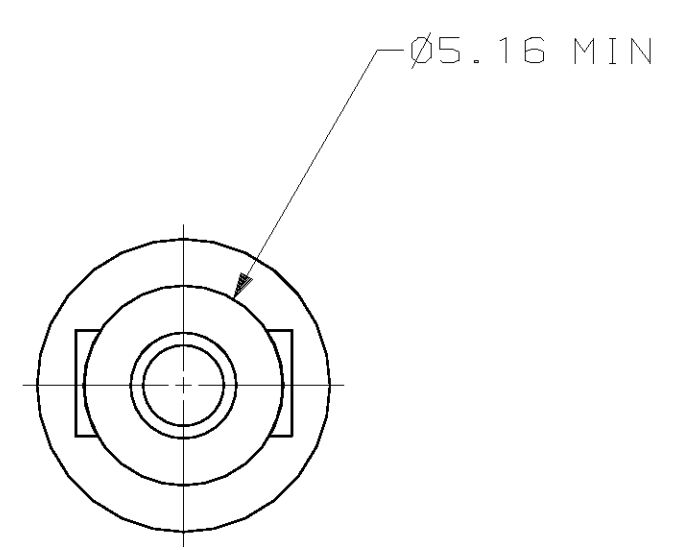
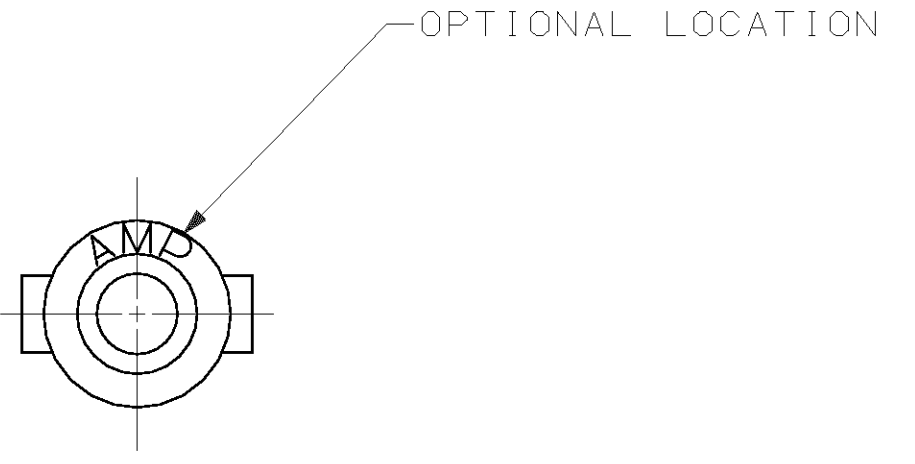
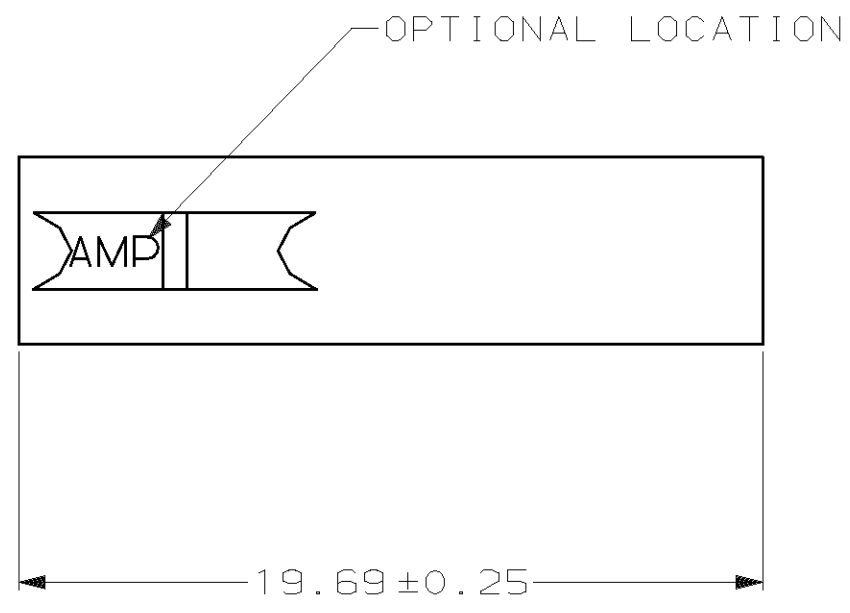
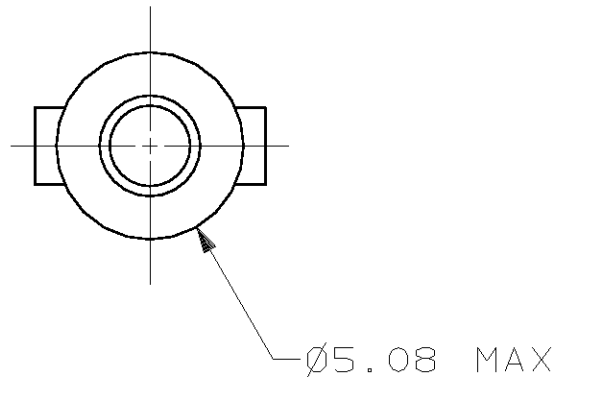
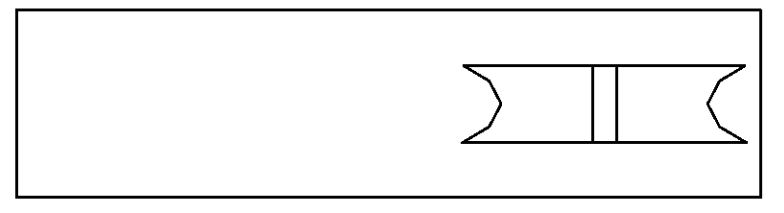
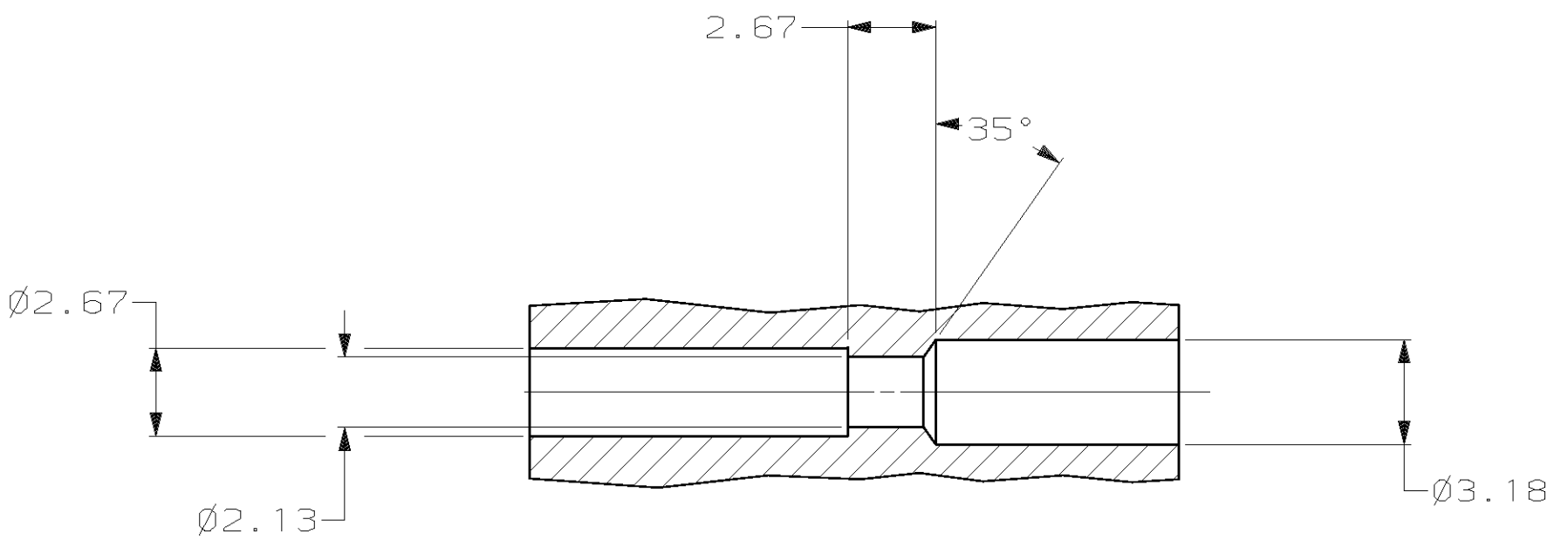


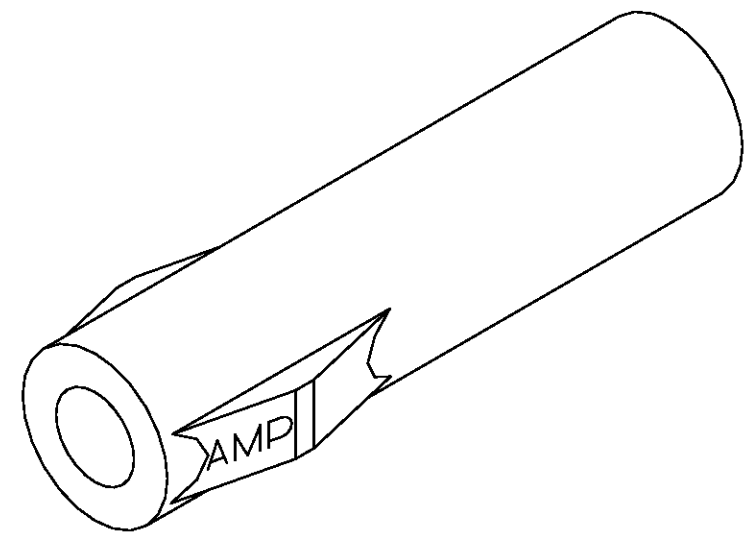
LOC		DIST		P		F		ZONE		LTR		REVISIONS		DATE	APPD	
CM	53												D	REV PER EC OL30-0096-96	11-6-96	JH RS



MATING CONNECTOR INTERFACE



TYPICAL RECEPTACLE CAVITY SECTION
(DIMENSIONS REFERENCE ONLY)



3-DIMENSIONAL MODEL
NTS

MM	IN	MM	IN	MM	IN
1.57	.062	3.18	.125	19.69	.775
0.25	.010	2.67	.105	5.16	.203
0.13	.005	2.13	.084	5.08	.200
MM	IN	MM	IN	MM	IN

CONVERSION TABLE

METRIC

THIS DRAWING IS A CONTROLLED DOCUMENT FOR AMP INCORPORATED. IT IS SUBJECT TO CHANGE AND THE CONTROLLING ENGINEERING ORGANIZATION SHOULD BE CONTACTED FOR THE LATEST REVISION.

DO NOT SCALE PRINT. UNLESS SPECIFIED DIMENSIONS IN mm (INCHES)		DR 2-15-94 K. WHITAKER		AMP Incorporated Harrisburg, PA 17105-3608	
TOLERANCES ON:		CHK 2-15-94 R. SWING			
2 PLC DEC ± 0.13		APPD 2-17-94 C. CASH		NAME	
3 PLC DEC ± -		APPD 2-17-94 C. CASH		RECEPTACLE, 1 CIRCUIT, .062 PIN AND SOCKET	
ANGLES ± -		APPD 2-17-94 C. CASH		PRODUCT SPEC	
MATERIAL		NYLON, UL 94V-2 NATURAL		APPLICATION SPEC	
FINISH		-		WEIGHT	
SCALE		5:1		SHEET 1 OF 1	
SIZE		D 00779		DRAWING NO C-770277	
CAGE CODE		00779		PART NO 770277-1	